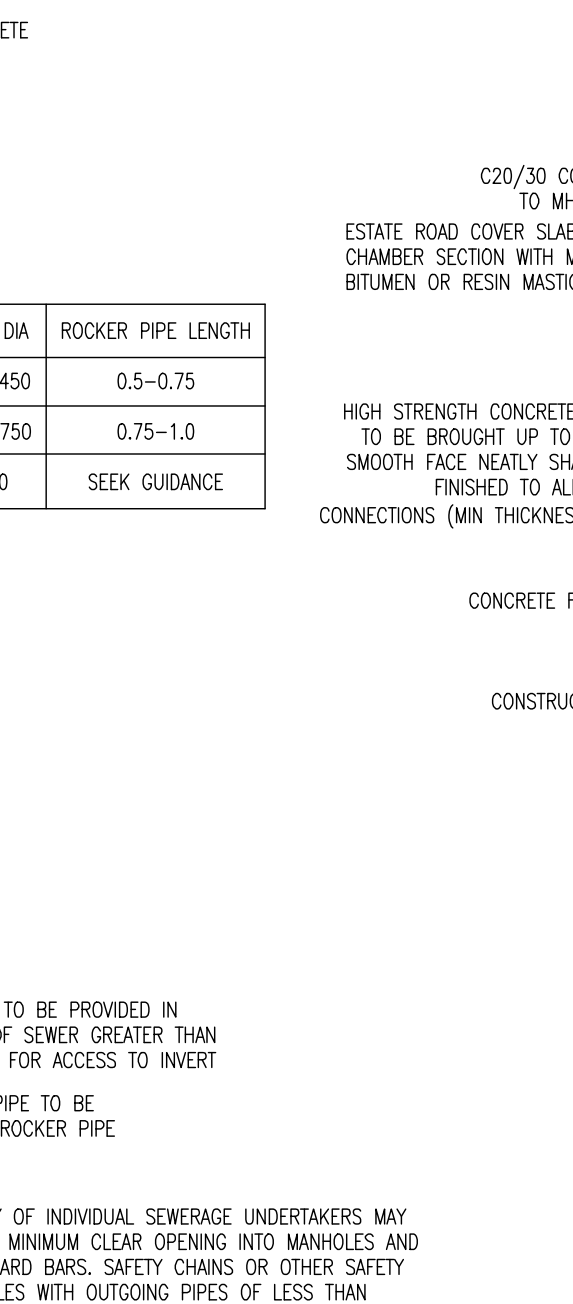
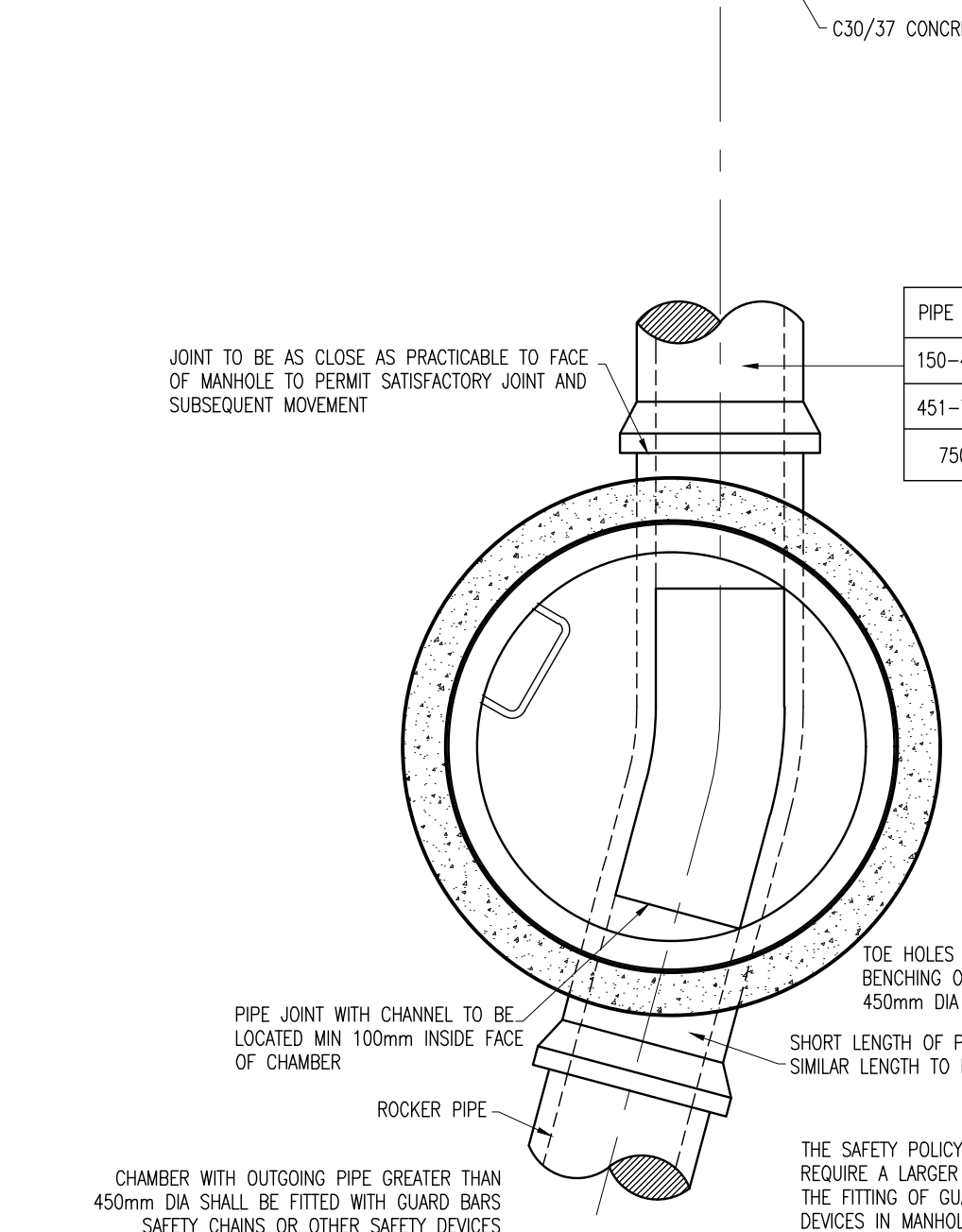
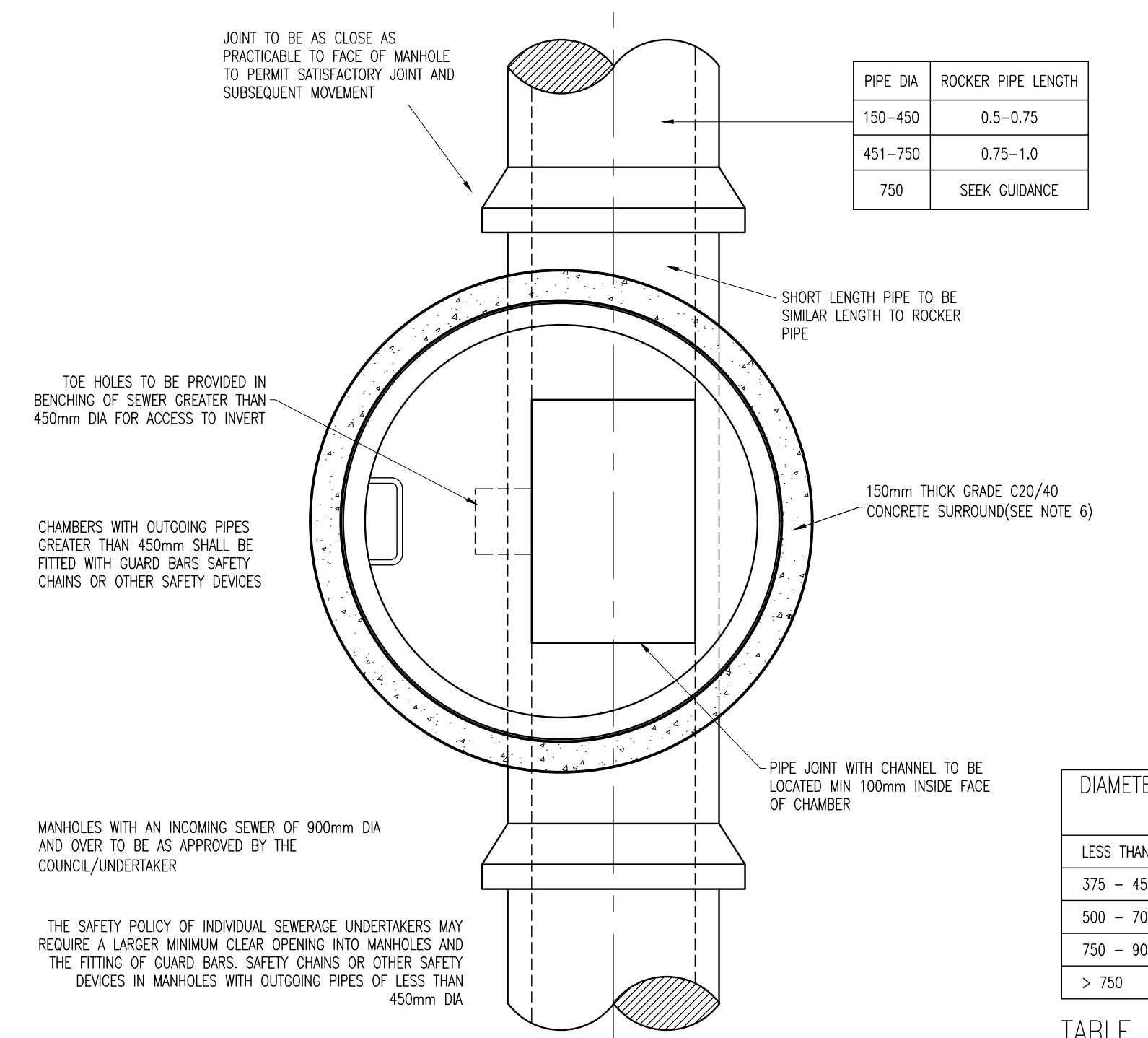
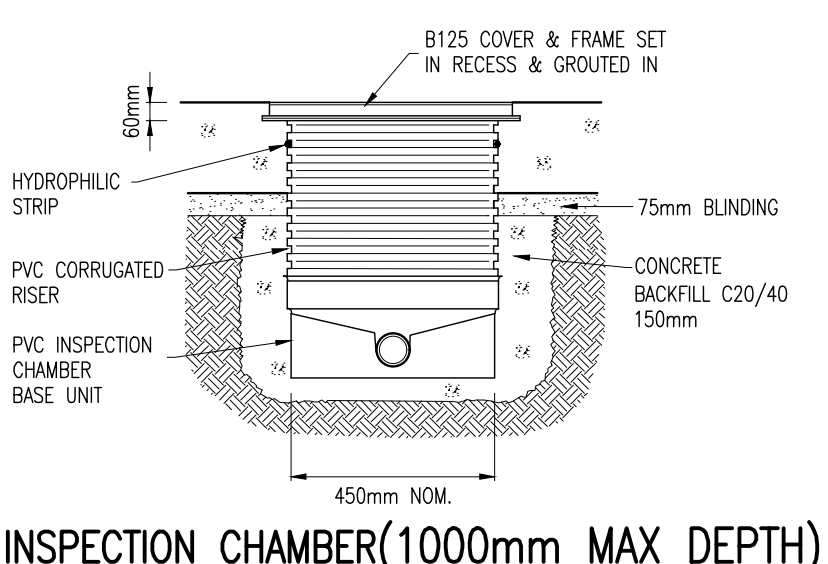
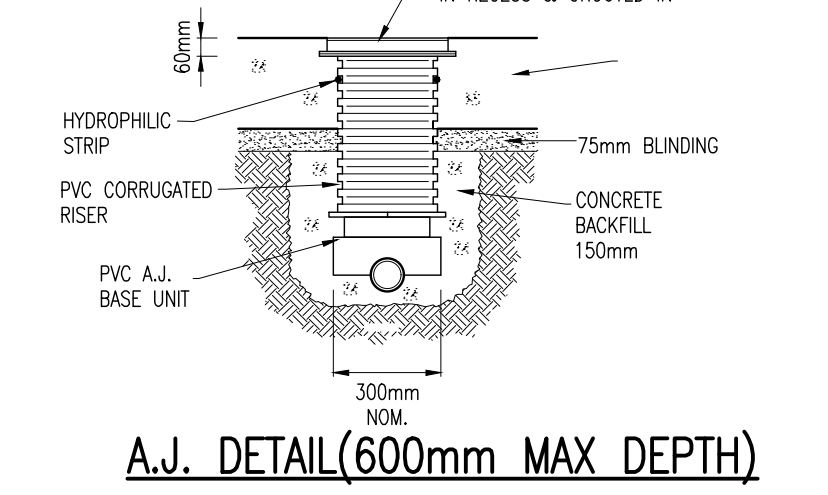
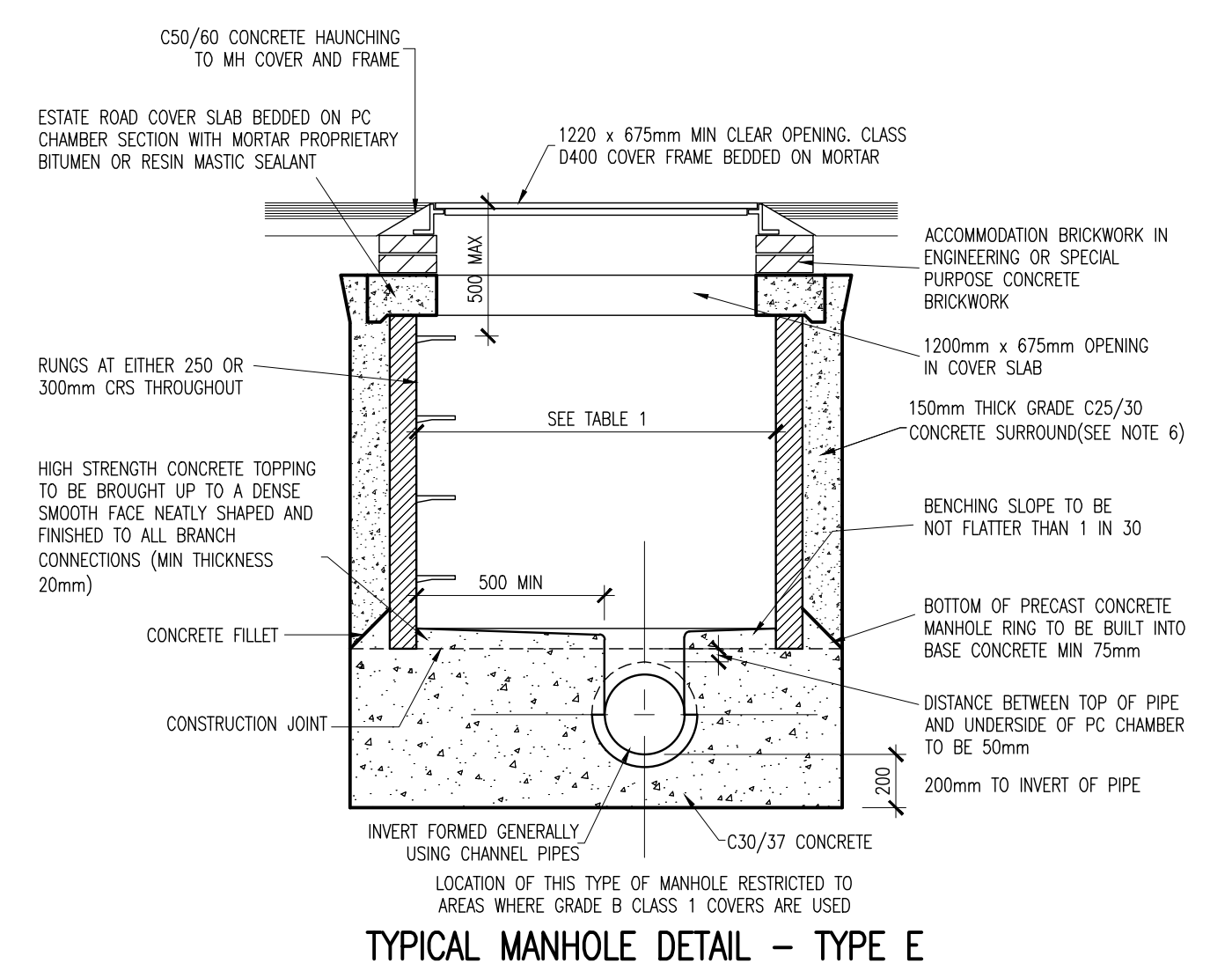
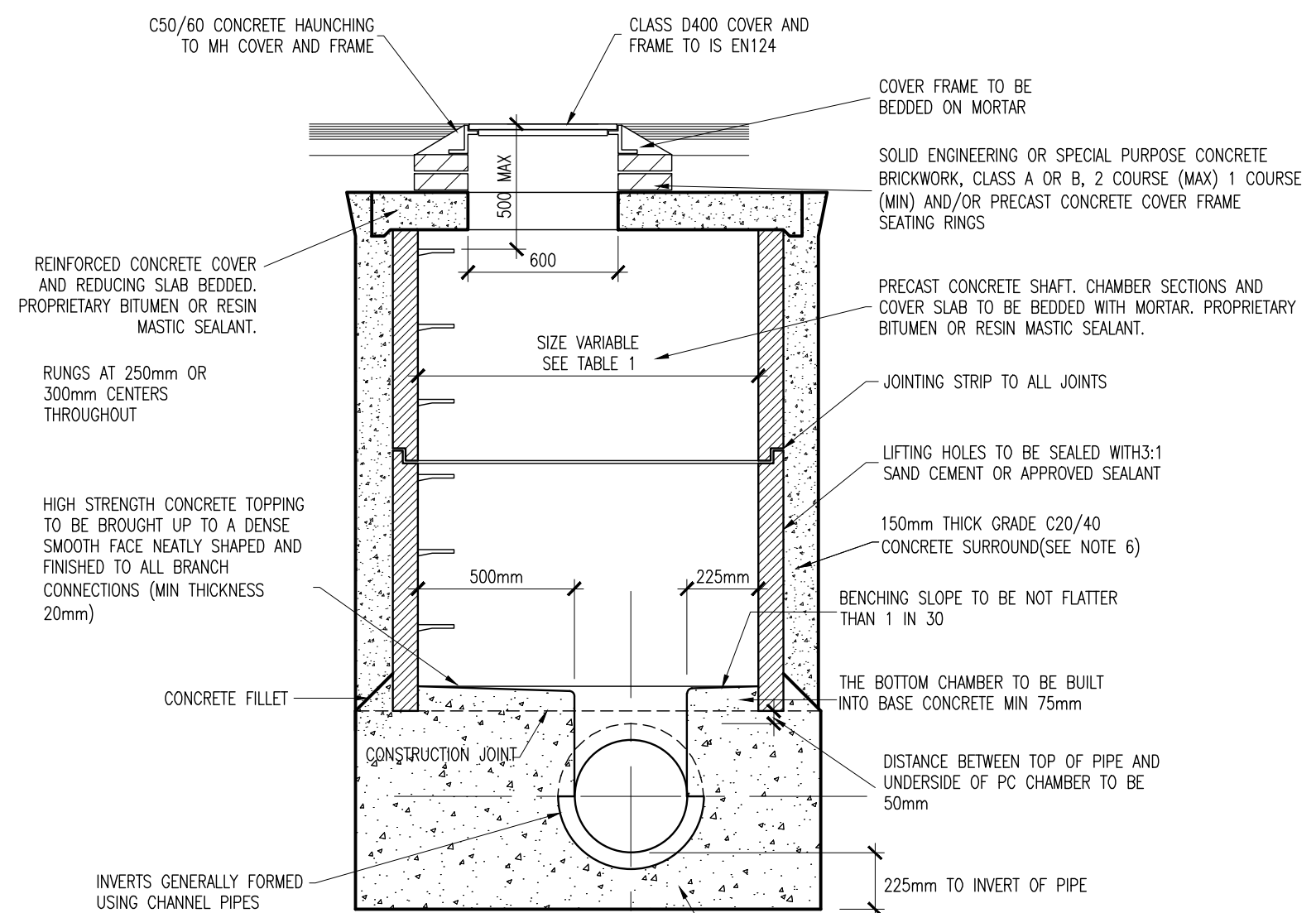
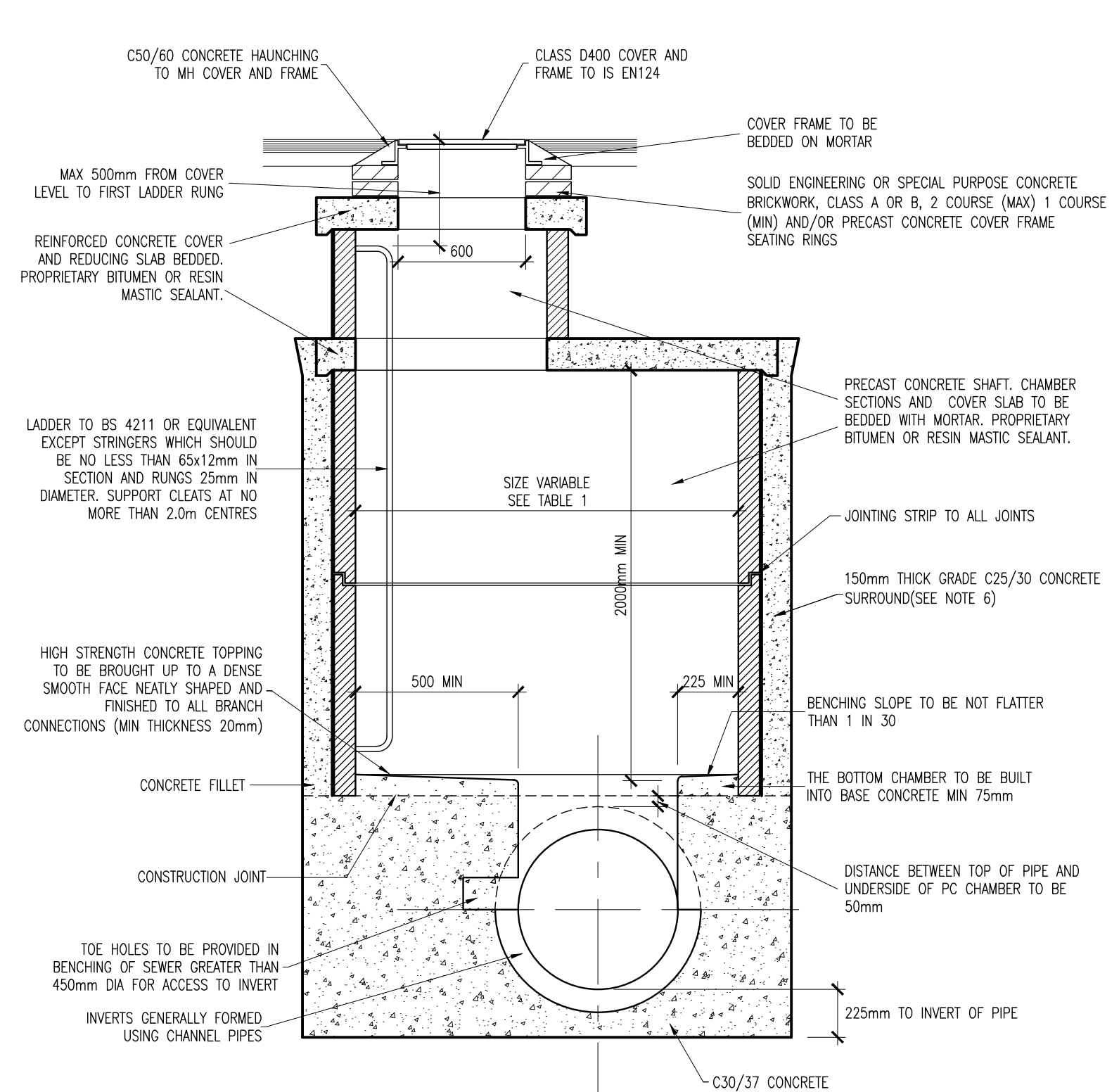


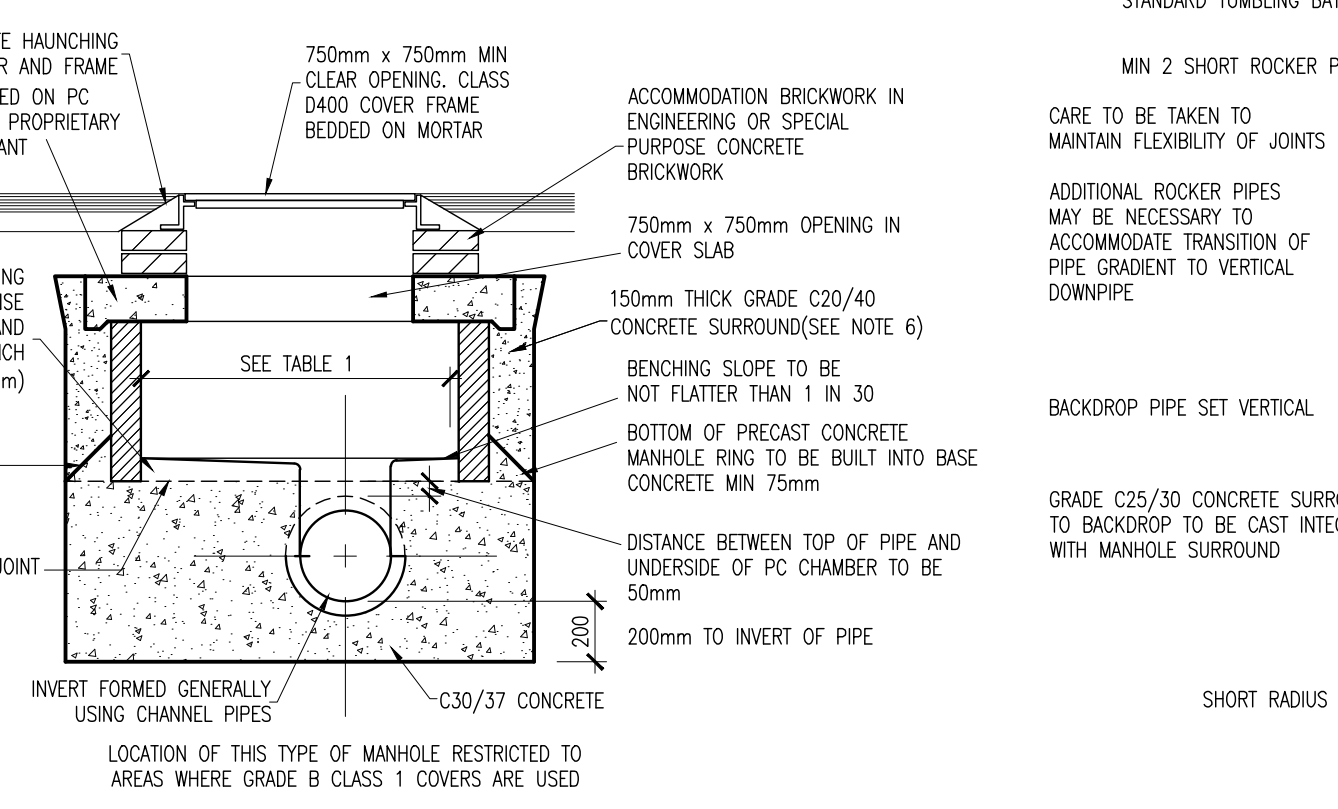
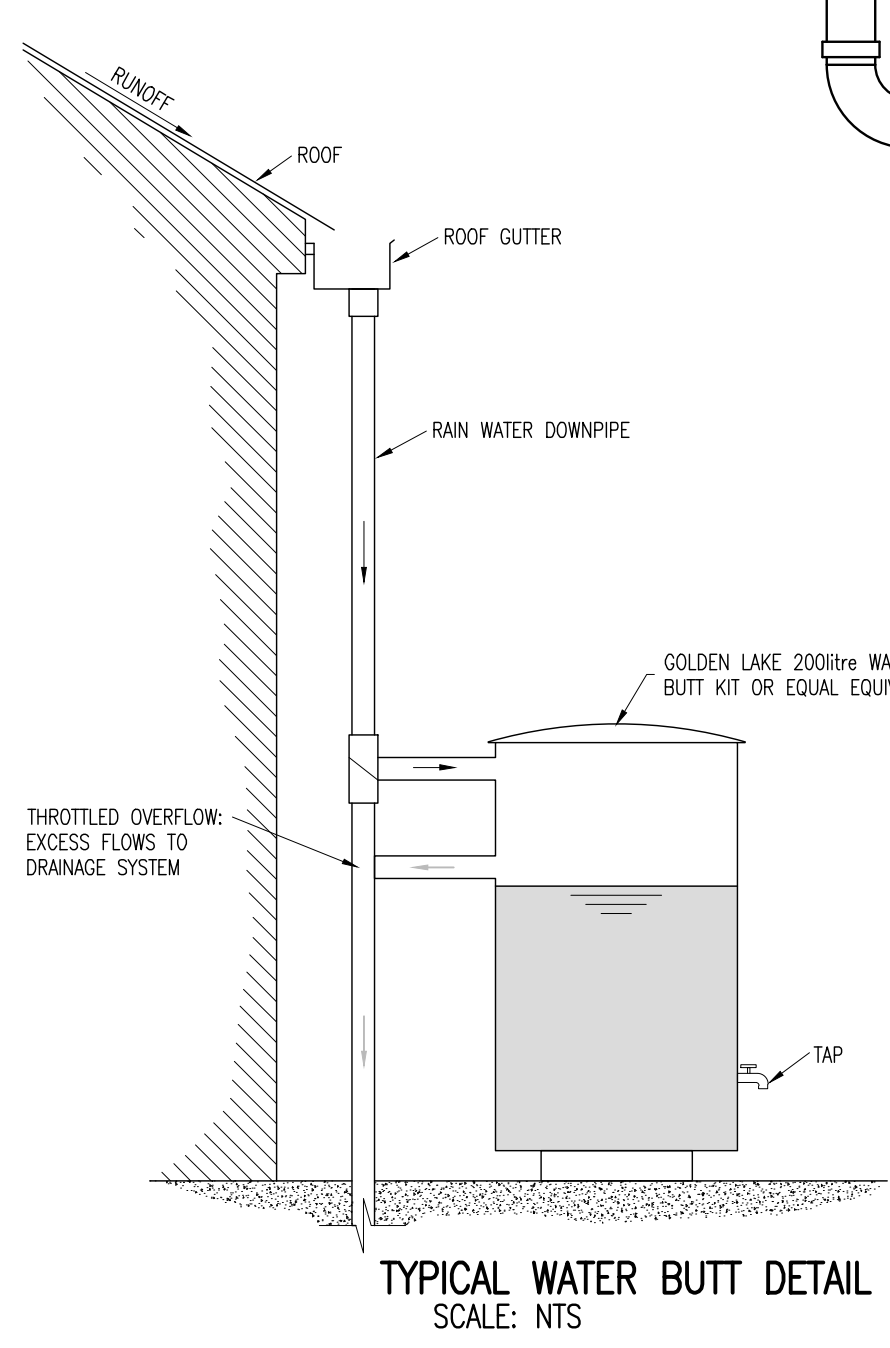
ON ORIGINAL
 © COPYRIGHT OF THIS DRAWING IS RESERVED BY DBFL CONSULTING ENGINEERS. NO PART SHALL BE REPRODUCED OR TRANSMITTED WITHOUT THEIR WRITTEN PERMISSION.
 NO CHANGES OF WHATSOEVER NATURE ARE TO BE MADE TO ANY DETAILS SET OUT OR CONTAINED IN ANY DBFL SPECIFICATIONS OR DRAWINGS UNLESS THE EXPRESS CONSENT HAS BEEN OBTAINED IN ADVANCE, IN WRITING, FROM DBFL.

GENERAL NOTES:
 1. ALL SURFACE WATER MANHOLES AND DRAINAGE ARE TO BE CONSTRUCTED IN ACCORDANCE WITH THE REQUIREMENTS OF THE GREATER DUBLIN CODE OF PRACTICE FOR DRAINAGE WORKS.
 2. ALL FOUL DRAINAGE WORKS TO BE IN ACCORDANCE WITH IRISH WATERS' CODE OF PRACTICE FOR WASTEWATER SUPPLY AND WASTEWATER INFRASTRUCTURE STANDARD DETAILS.
 3. SURFACE FINISHES FOR CONCRETE:
 3.1. CLASS F1 FOR ALL CONCRETE 100mm OR MORE BELOW GROUND LEVEL.
 3.2. CLASS F3 FOR ALL EXPOSED CONCRETE ABOVE 100mm BELOW GROUND LEVEL.
 4. ALL EXPOSED CORNERS ON CONCRETE SHALL BE CHAMFERED WITH 25mm x 25mm CHAMFERS.
 5. ALL STRUCTURAL CONCRETE (HEADWALLS, RC MANHOLES, PETROL INTERCEPTOR SLABS) TO RECEIVE MC SUR 1680 (OR SIMILAR APPROVED BAR MODIFIED EPOXY RESIN) TO ALL BURIED SURFACES. TO FINISH 100mm BELOW GROUND LEVEL.
 6. ALL SEWERS SHALL BE PRESSURE TESTED PRIOR TO BACKFILLING.
 7. TYPE 1 GRANULAR MATERIAL : BROKEN STONE OR GRAVEL TO PASS 10mm SIEVE AND BE RETAINED ON 5mm SIEVE. TYPE 2 GRANULAR MATERIAL (BROKEN STONE OR GRAVEL TO PASS 10mm - 25mm SIEVE, ACCORDING TO PIPE SIZE, (SEE TABLE) AND BE RETAINED ON 5mm SIEVE.
 8. TYPE 3 SELECTED FILL : UNIFORM READILY COMPACTED MATERIAL FREE FROM TREE ROOTS, VEGETABLE MATTER, BUILDING DEBRIS, AND FROZEN SOIL AND EXCLUDING CLAY LUMPS RETAINED ON A 75mm SIEVE AND STONES RETAINED ON A 37.5mm SIEVE.
 9. ALL LADDERS, RUNGS, SAFETY CHAINS etc SHALL BE HOT DIPPED GALVANISED TO BS 729 OR EQUIVALENT.

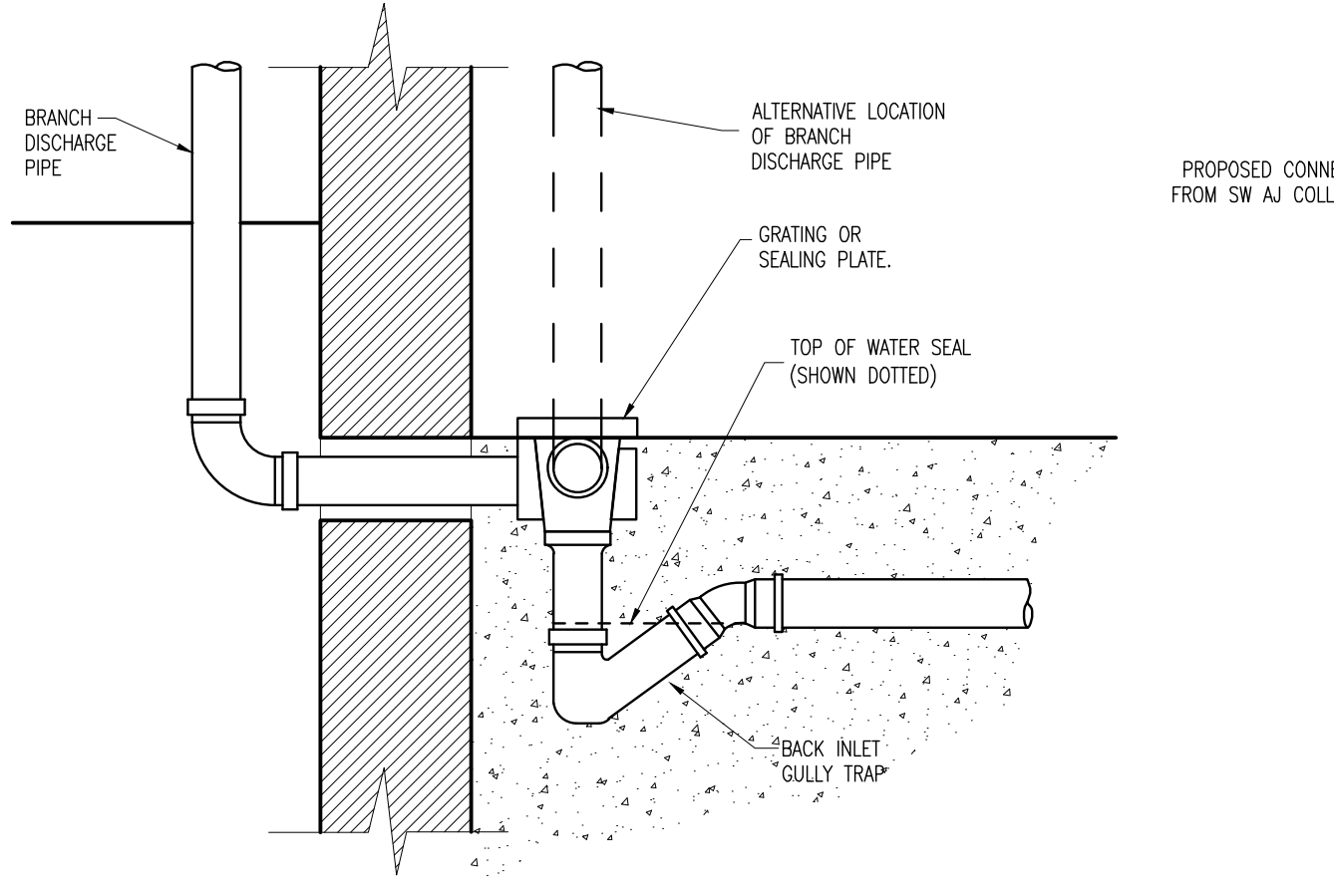


DIAMETER OF LARGEST PIPE IN MANHOLE (mm)	CHAMBER SECTION DIAMETER (mm)
LESS THAN 375	1200
375 - 450	1350
500 - 700	1500
750 - 900	1800
> 750	PIPE SIZE + 1.3m

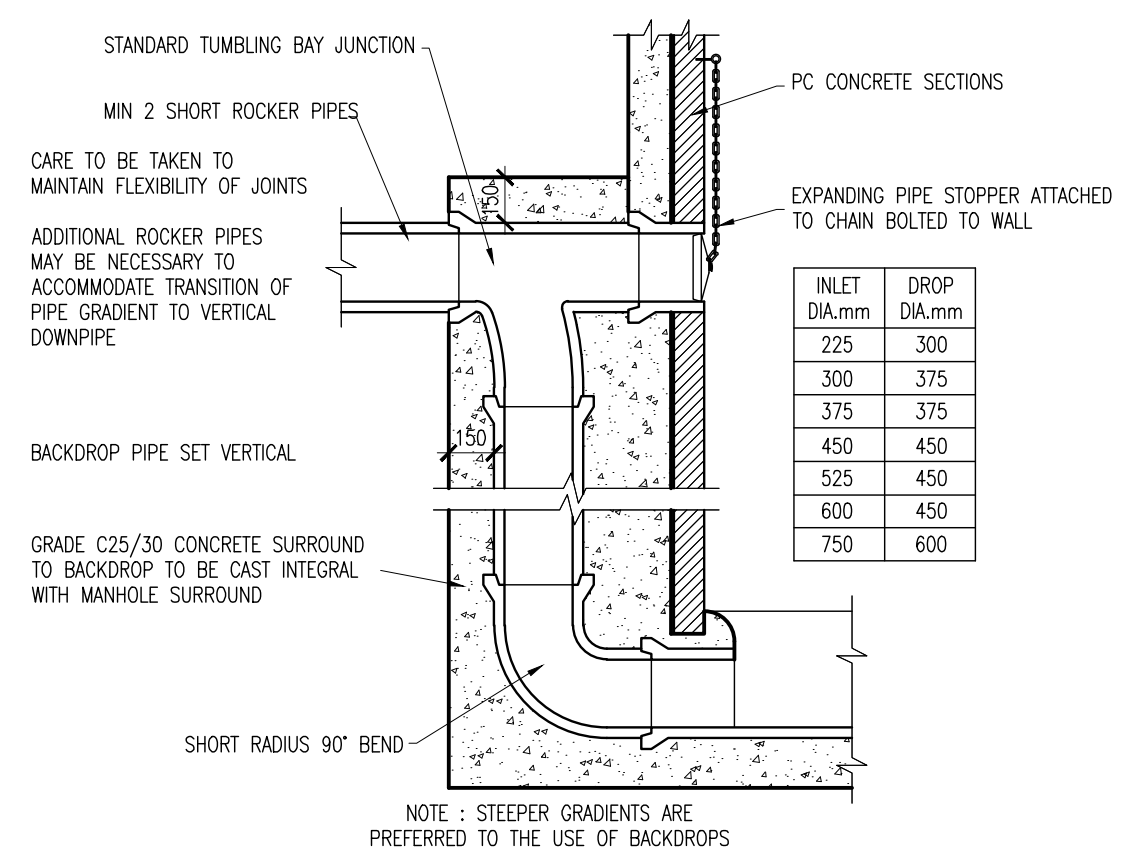
TABLE 1



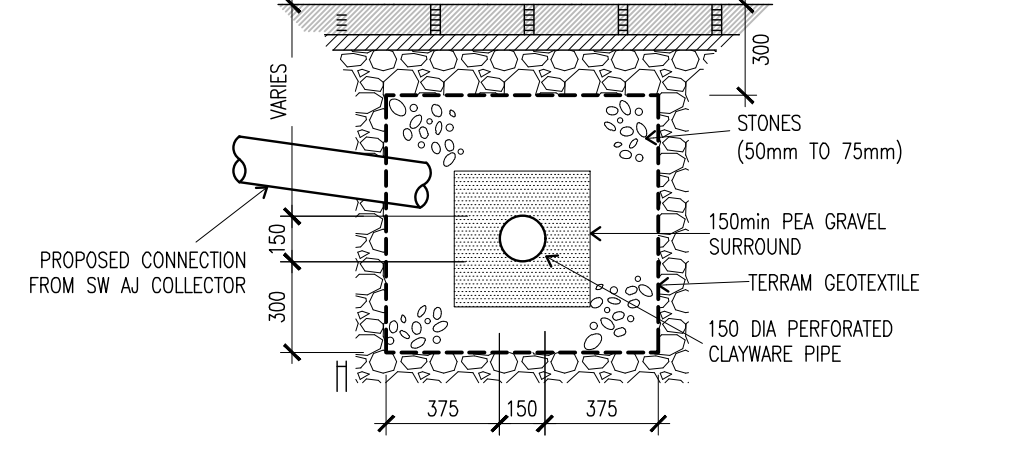
TYPICAL MANHOLE DETAIL - TYPE F
 DEPTH TO SOFFIT LESS THAN 1.0m
 SCALE 1:25



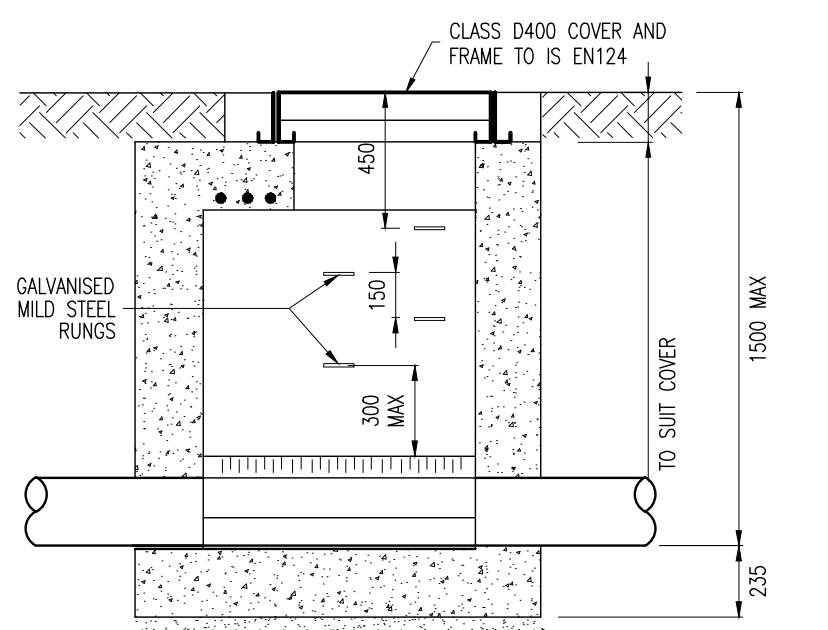
BACK INLET GULLY TRAP



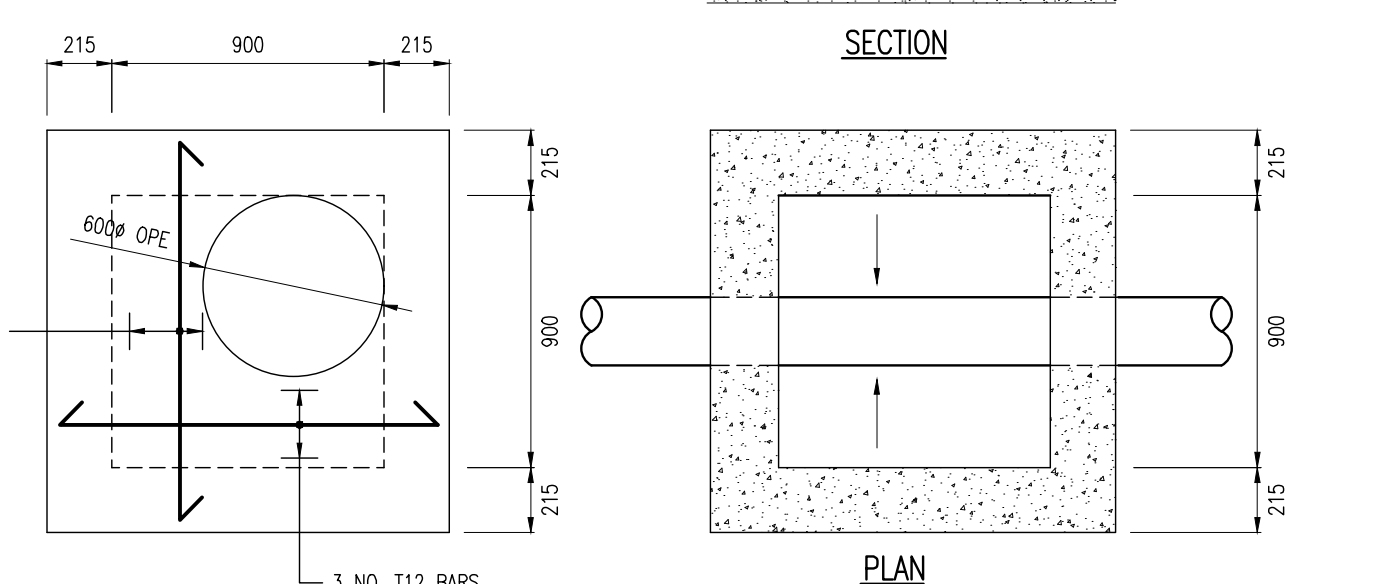
TYPICAL VERTICAL BACKDROP DETAIL
 SCALE 1:25



TYPICAL FILTER DRAIN



TYPICAL IN SITU SHALLOW MANHOLE DETAIL
 SCALE 1:25



TYPICAL IN SITU SHALLOW MANHOLE DETAIL
 SCALE 1:25

- GENERAL NOTES:
 1. ALL SURFACE WATER MANHOLES AND DRAINAGE ARE TO BE CONSTRUCTED IN ACCORDANCE WITH THE REQUIREMENTS OF THE GREATER DUBLIN CODE OF PRACTICE FOR DRAINAGE WORKS.
 2. ALL FOUL DRAINAGE WORKS TO BE IN ACCORDANCE WITH IRISH WATERS' CODE OF PRACTICE FOR WASTEWATER SUPPLY AND WASTEWATER INFRASTRUCTURE STANDARD DETAILS.
 3. SURFACE FINISHES FOR CONCRETE:
 3.1. CLASS F1 FOR ALL CONCRETE 100mm OR MORE BELOW GROUND LEVEL.
 3.2. CLASS F3 FOR ALL EXPOSED CONCRETE ABOVE 100mm BELOW GROUND LEVEL.
 4. ALL EXPOSED CORNERS ON CONCRETE SHALL BE CHAMFERED WITH 25mm x 25mm CHAMFERS.
 5. ALL STRUCTURAL CONCRETE (HEADWALLS, RC MANHOLES, PETROL INTERCEPTOR SLABS) TO RECEIVE MC SUR 1680 (OR SIMILAR APPROVED BAR MODIFIED EPOXY RESIN) TO ALL BURIED SURFACES. TO FINISH 100mm BELOW GROUND LEVEL.
 6. ALL SEWERS SHALL BE PRESSURE TESTED PRIOR TO BACKFILLING.
 7. TYPE 1 GRANULAR MATERIAL : BROKEN STONE OR GRAVEL TO PASS 10mm SIEVE AND BE RETAINED ON 5mm SIEVE. TYPE 2 GRANULAR MATERIAL (BROKEN STONE OR GRAVEL TO PASS 10mm - 25mm SIEVE, ACCORDING TO PIPE SIZE, (SEE TABLE) AND BE RETAINED ON 5mm SIEVE.
 8. TYPE 3 SELECTED FILL : UNIFORM READILY COMPACTED MATERIAL FREE FROM TREE ROOTS, VEGETABLE MATTER, BUILDING DEBRIS, AND FROZEN SOIL AND EXCLUDING CLAY LUMPS RETAINED ON A 75mm SIEVE AND STONES RETAINED ON A 37.5mm SIEVE.
 9. ALL LADDERS, RUNGS, SAFETY CHAINS etc SHALL BE HOT DIPPED GALVANISED TO BS 729 OR EQUIVALENT.

TYPE 2 GRANULAR MATERIAL :

UP TO 225mm	100% PASSING	10mm SIEVE
225 - 450mm	20mm SIEVE	
450 - 600mm	25mm SIEVE	
600 - 750mm		

rev	date	description	by	chkd.
A-		Approved		
B-		Approved with comments		
C-		Do not use		

client approval

suitability	issue purpose
SO - WORK IN PROGRESS	PLANNING

DBFL Consulting Engineers
 Civil, Structural & Transportation Engineering
 www.dbfl.ie

DUBLIN OFFICE: Ormond House, Upper Ormond Quay, Dublin 7. D07 W9T4
 PHONE: +353 1 400 4000
 CORK OFFICE: 14 South Mall, Cork. T12 CT91
 PHONE: +353 21 204538
 WATERFORD OFFICE: Suite 10 The Ashrum, Marlboro Gate, Canada Street, Waterford. X91 W028
 PHONE: +353 51 309 500

project ref:

WHITE PINES CENTRAL RESIDENTIAL DEVELOPMENT

drawing title
TYPICAL DRAINAGE DETAILS SHEET 1

client
ARDSTONE HOMES

designed by: SPB author: JVS scale: AS SHOWN sheet size: A1
 drawing no.: 190004-DBFL-CS-SP-DR-C-5001 revision: P0